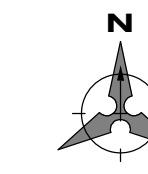
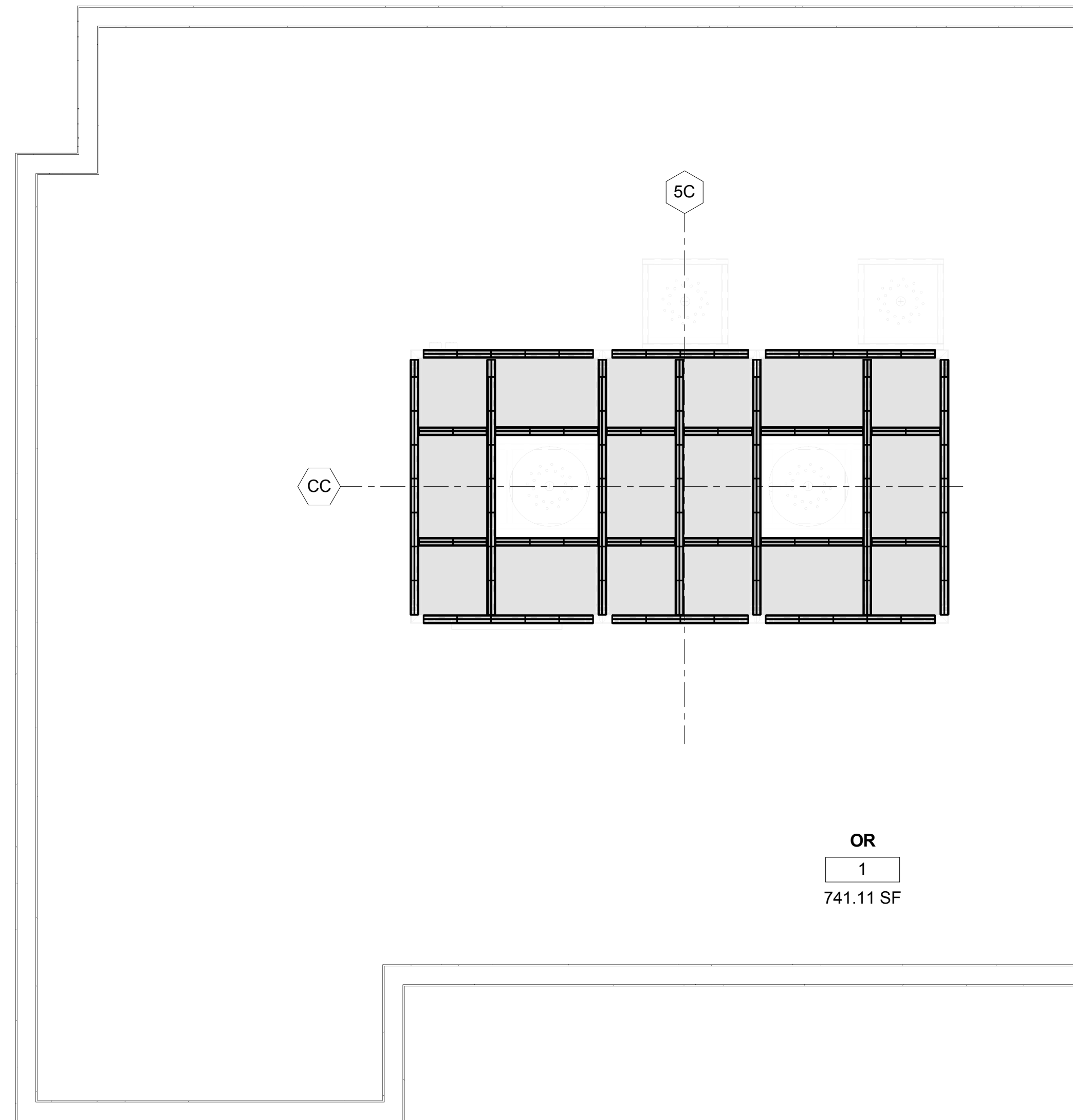


# HUNTAIR

CLEANSUITE®

DRAWING LIST		DATE : 09/28/2017
DRAWING NO. 1	M1.0	GENERAL NOTES
DRAWING NO. 2	M2.0	MODULE LAYOUT
DRAWING NO. 3	M3.0	BOOM LAYOUT
DRAWING NO. 4	M4.0	STRUCTURAL LAYOUT
DRAWING NO. 5	M5.0	GRID ASSEMBLY & ELECTRICAL
DRAWING NO. 6	M6.0	LIGHTING CALCULATIONS

THIS DRAWING PACKAGE, SPECIFICATIONS, AND CONCEPTS CONTAINED HEREIN ARE THE SOLE PROPERTY OF NORTEK AIR SOLUTIONS, AND MAY NOT BE REPRODUCED OR USED IN ANY FASHION WITHOUT THE PRIOR WRITTEN PERMISSION OF NORTEK AIR SOLUTIONS.



## GENERAL NOTES

- THE CONTRACTOR SHALL VERIFY ALL DIMENSIONS PRIOR TO STARTING WORK. THE ENGINEER SHALL BE NOTIFIED OF ANY DISCREPANCIES.
- THE CONTRACTOR SHALL PROVIDE AND MAINTAIN ADEQUATE ERECTION SHORING AND BRACING AS REQUIRED FOR STABILITY OF ALL STRUCTURES DURING ALL PHASES OF CONSTRUCTION.
- IN NO CASE SHALL WORKING DRAWINGS BE SCALED FROM PLANS, SECTIONS OR DETAILS ON THE DRAWINGS.
- THE CONTRACT STRUCTURAL DRAWINGS REPRESENT THE FINISHED STRUCTURES. THEY DO NOT INDICATE METHODS OF CONSTRUCTION. THE CONTRACTOR SHALL PROVIDE ALL MEASURES NECESSARY TO PROTECT EXISTING AND NEW STRUCTURES DURING CONSTRUCTION. SUCH MEASURES SHALL INCLUDE, BUT ARE NOT LIMITED TO, BRACING, SHORING, ETC. FOR ALL CONSTRUCTION PHASE LOADS.
- ALL WORK SHALL BE PERFORMED IN COMPLIANCE WITH 2006 INTERNATIONAL BUILDING CODE (IBC) AS AMENDED BY THE STATE OF **NEW YORK**.
- SEE STRUCTURAL DRAWINGS FOR CLEANSUITE SUPPORT DETAILS

## STRUCTURAL STEEL CONT'D

- WELDED CONNECTIONS:
  - WELD MATERIAL:
    - TENSILE STRENGTH: 86 KSI
    - YIELD STRENGTH: 76 KSI AS WELDED WITH 75/ 25%
    - WELD TYPE: FCAW-G FILL METAL E71T-7M
- BOLTED CONNECTIONS:
 

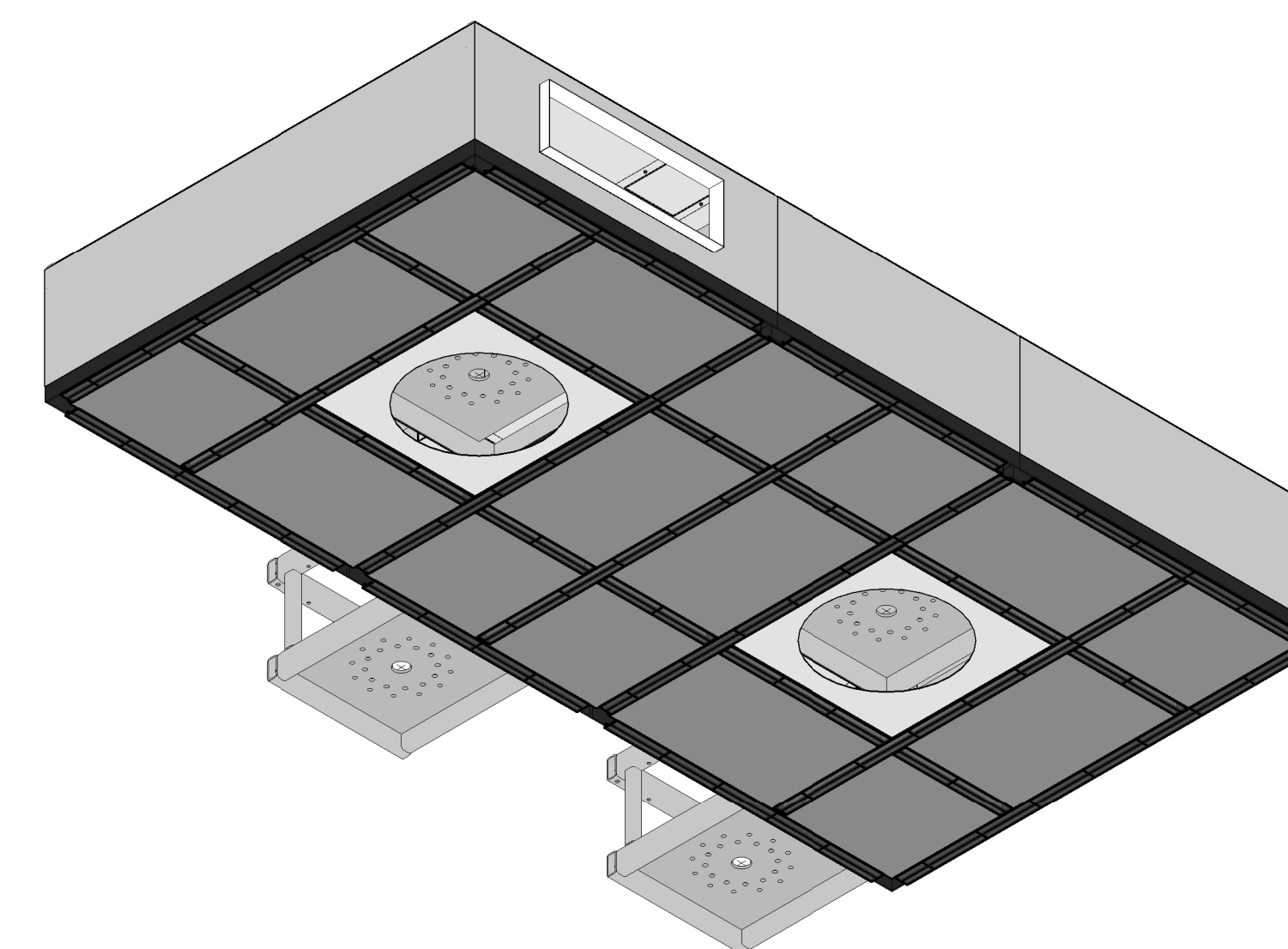
TOP, BOTTOM AND CORNERS OF CLEANSUITE CONNECTIONS:

  - GRADE 5 EQUIVALENT DIA 5/8" BOLT, 24.00" OC.
  - USE A HARDENED WASHER BENEATH THE TURNED ELEMENT OF THE BOLT OF NUT. HARDENED WASHER TO BE AT LEAST 5/16" THICK CONFORMING TO ASTM F436.
  - HOLES HAVE A STANDARD OVERSIZE CALL OUT UNLESS OTHERWISE NOTED.
  - TIGHTEN BOLTS SNUG UNTIL ALL PLIES OF THE JOINT ARE IN FIRM CONTACT
  - ENLARGE BOLT HOLES BY REAMING IF NECESSARY. DO NOT TORCH CUT.

1 ROOM LAYOUT  
3/8" = 1'-0"

## STRUCTURAL STEEL

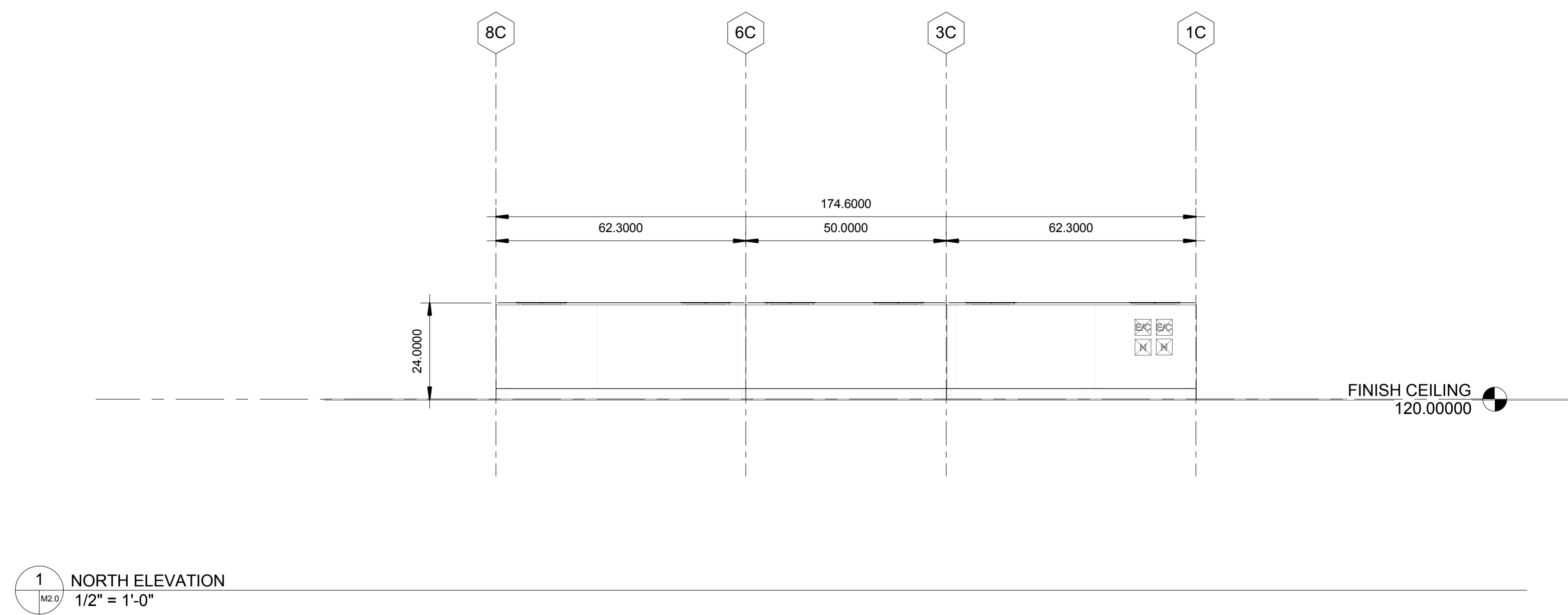
- MATERIAL SHALL CONFORM AS FOLLOWS:
  - TUBE STEEL HOLLOW STRUCTURAL SECTION: ASTM A500 FY= 48KSI, GRADE B.
  - SHEET METAL: ASTM A653 FY= 36KSI
  - PIPE: ASTM A53, FY= 36 KSI
  - BOLTS: (GRADE 5 EQUIVALENT)



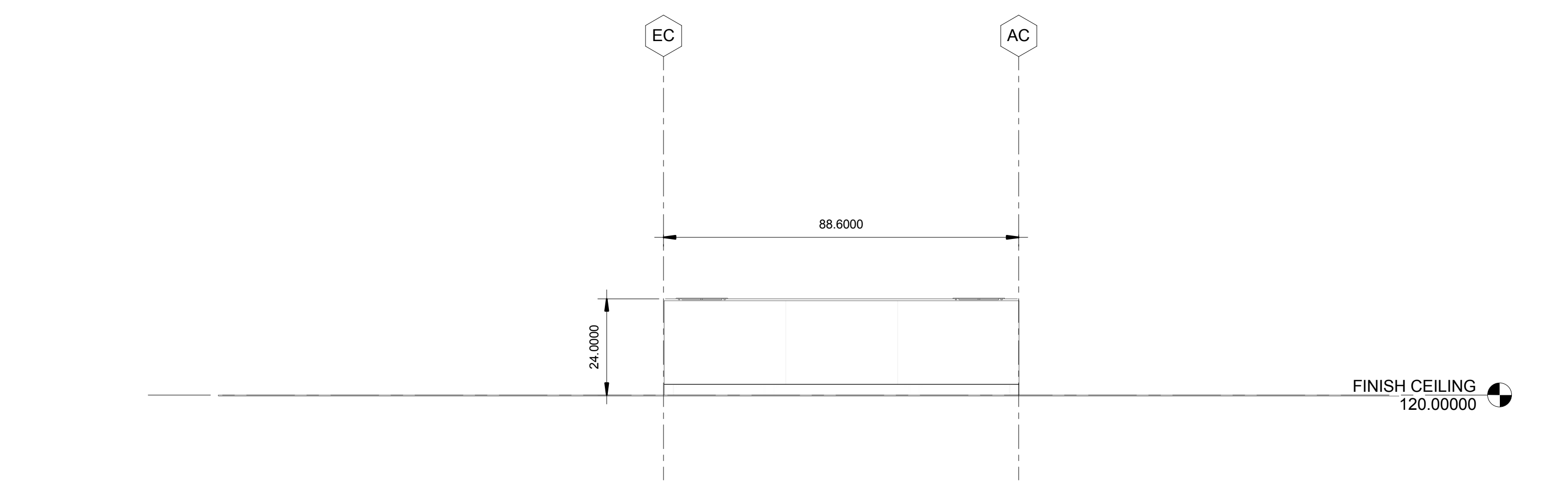
2 CLEANSUITE

REV. NO.	REVISION DESCRIPTION	APPROVED	DATE	AS BUILT DATE
STAMP:				
<p>19855 SW 124th Ave TUALATIN, OR 97062 Phone (503) 639-0113 Fax (503) 639-1296 www.nortekair.com</p>				
HOSPITAL NAME_ OR				
<b>GENERAL NOTES</b>				
HOSPITAL NAME HOSPITAL NAME ADDRESS CITY, STATE ZIP				
APPROVALS		DATE		
DESIGN				
CHECKED				
CROSSCHECK				
SAFETY				
PLANNING				
ENGINEERING				
APPROVED				
REV CODE				
FILE NAME	XX-XXXX	DRAWING NO.	M1.0	
OLD FILE NAME		ROOM SCALE	1 : 1	DRAWING SCALE
			As indicated	WORK DATE

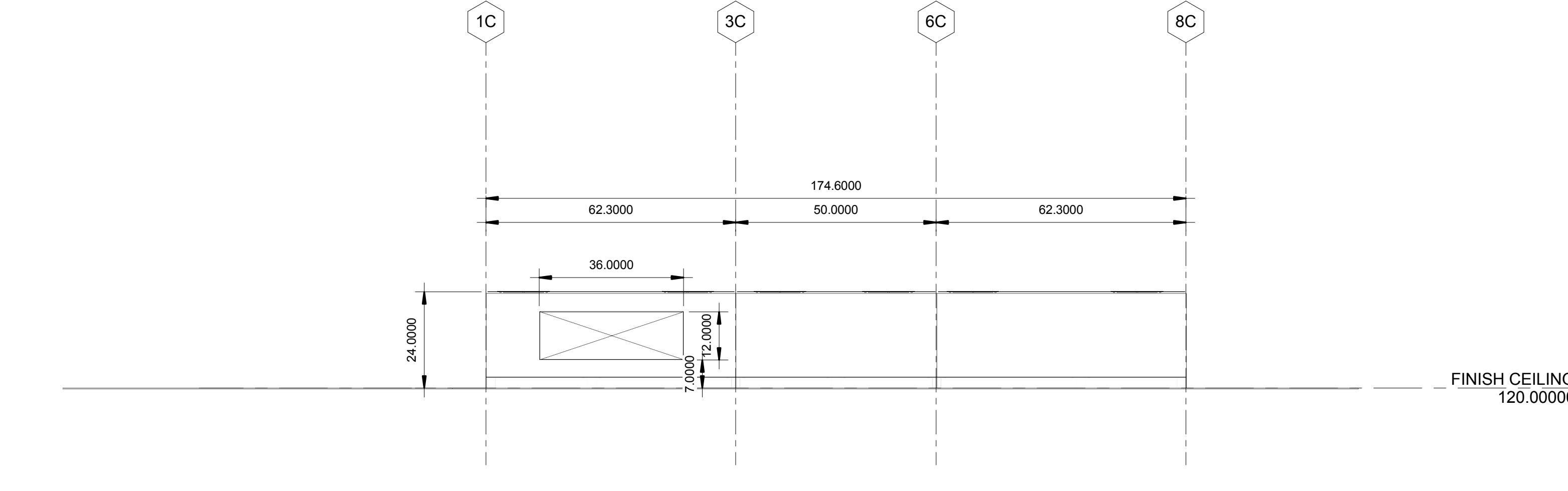
● INDICATES ISO CENTER  
 ⇄ INDICATES AIR FLOW



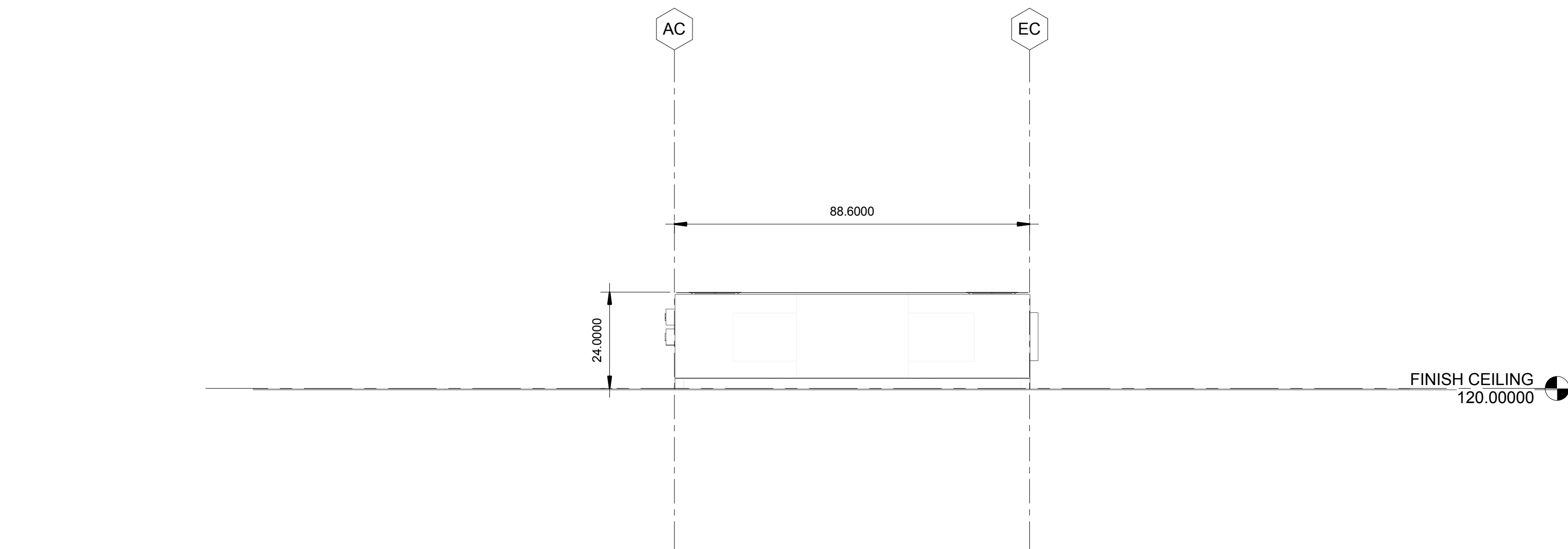
1 NORTH ELEVATION  
 1/2" = 1'-0"



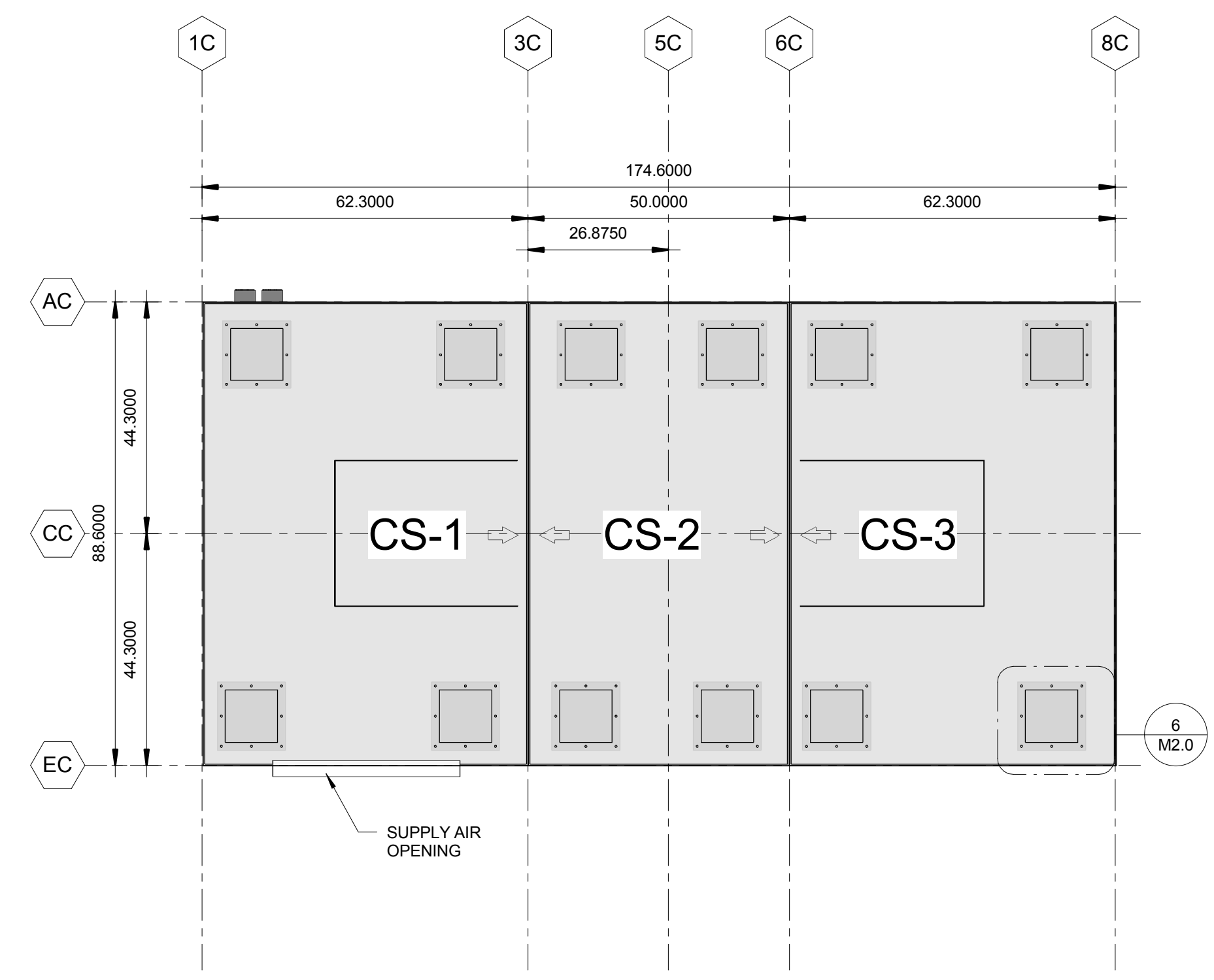
2 EAST ELEVATION  
 1/2" = 1'-0"



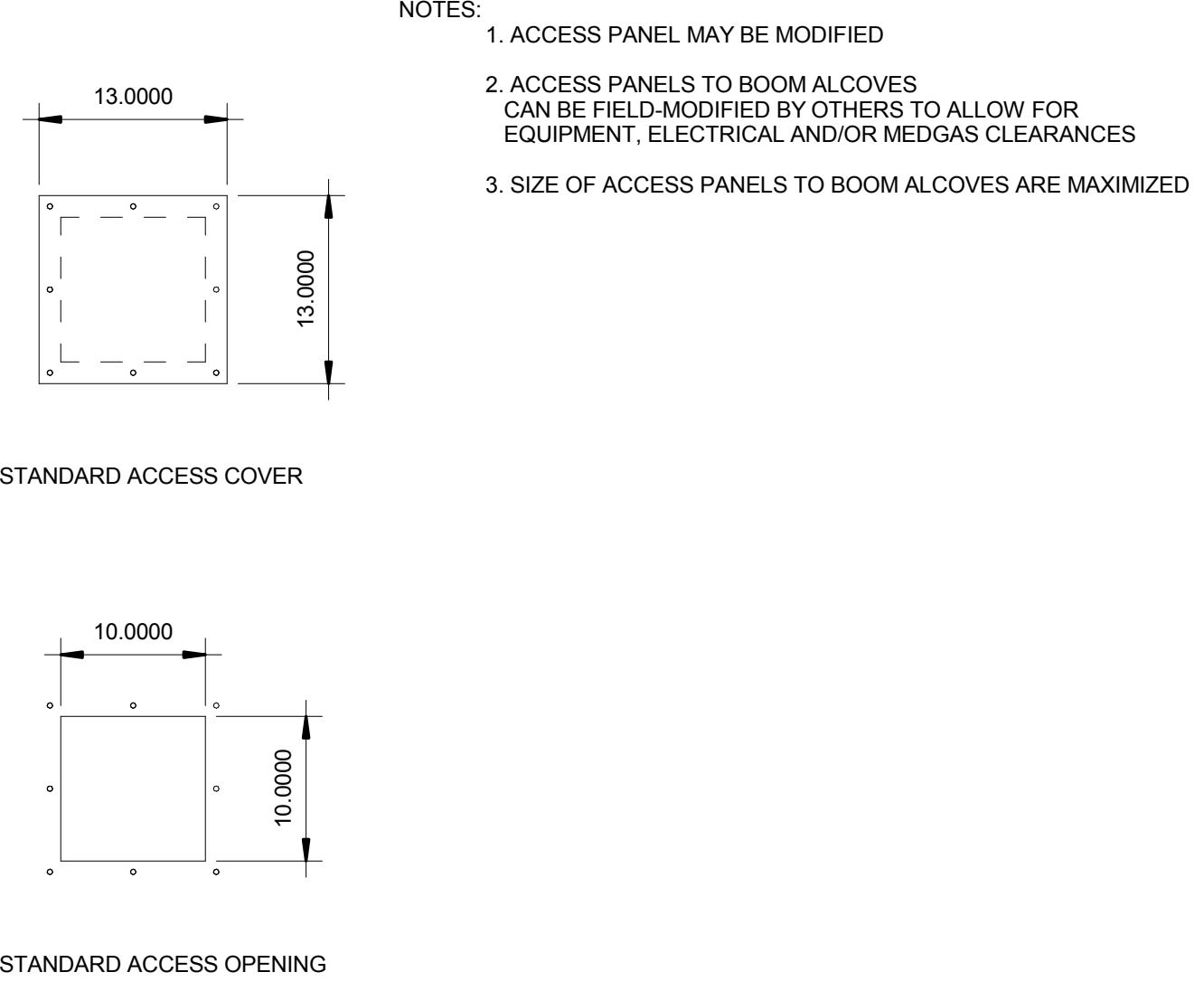
3 SOUTH ELEVATION  
 1/2" = 1'-0"



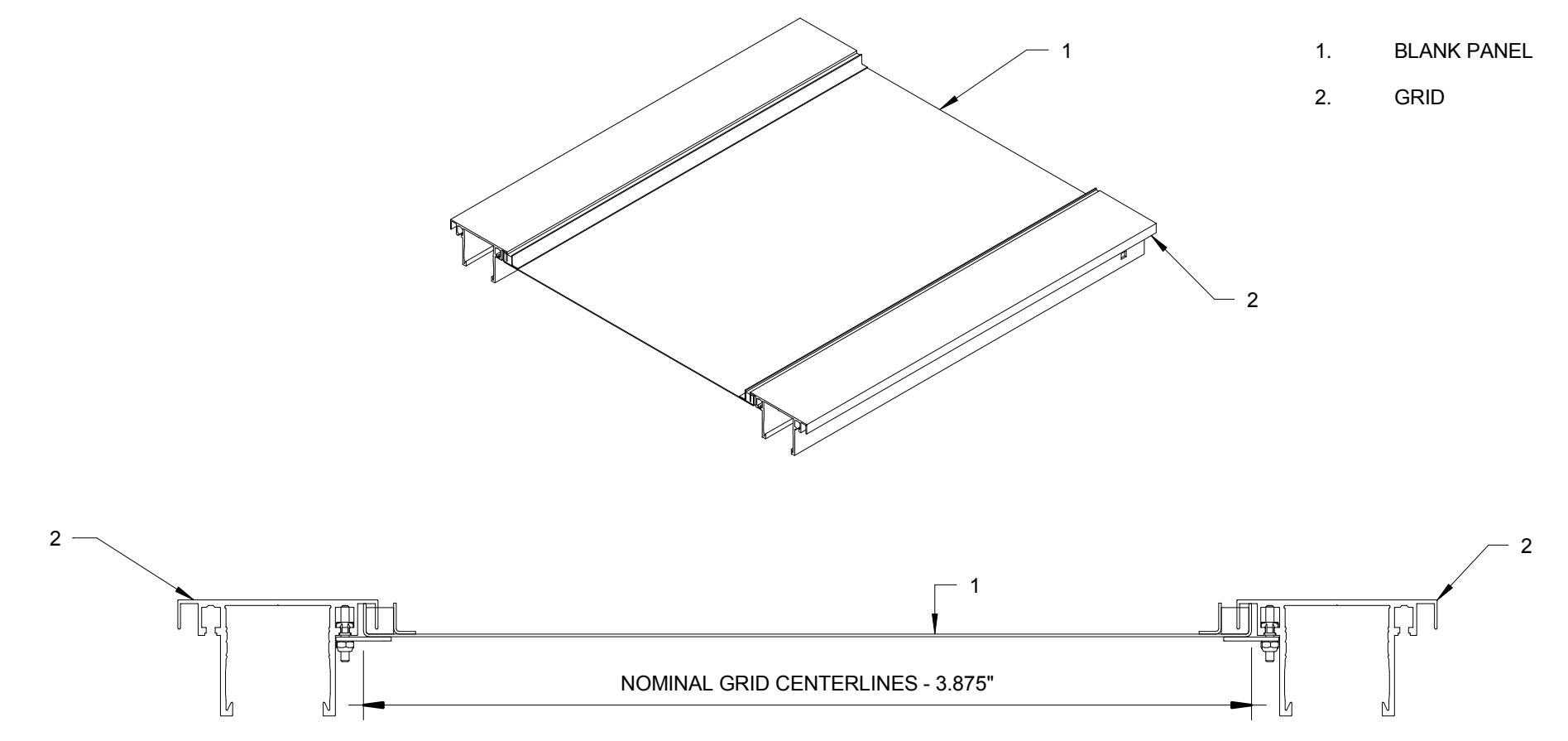
4 WEST ELEVATION  
 1/2" = 1'-0"



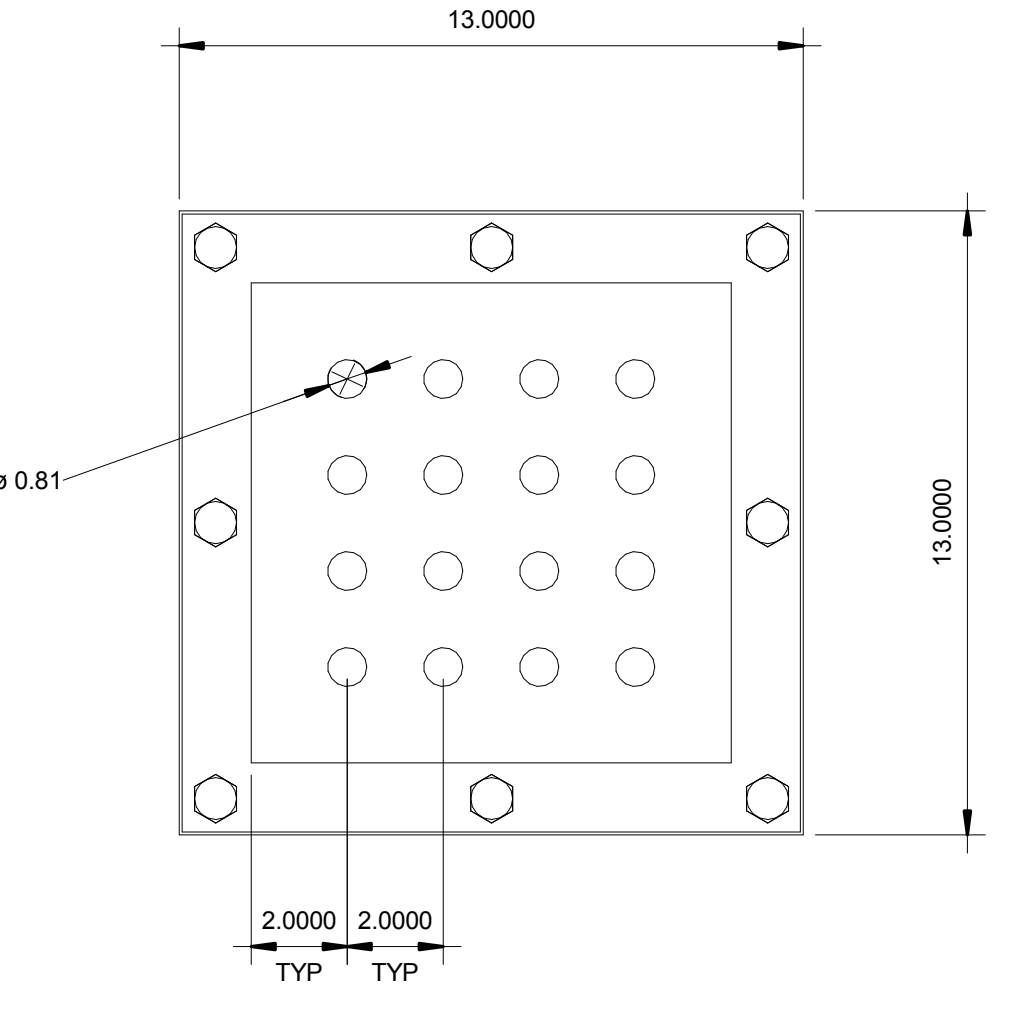
5 MODULE LAYOUT  
 1/2" = 1'-0"



6 TYPICAL ACCESS PANEL  
 1" = 1'-0"



7 TYPICAL BLANK PANEL  
 1" = 1'-0"



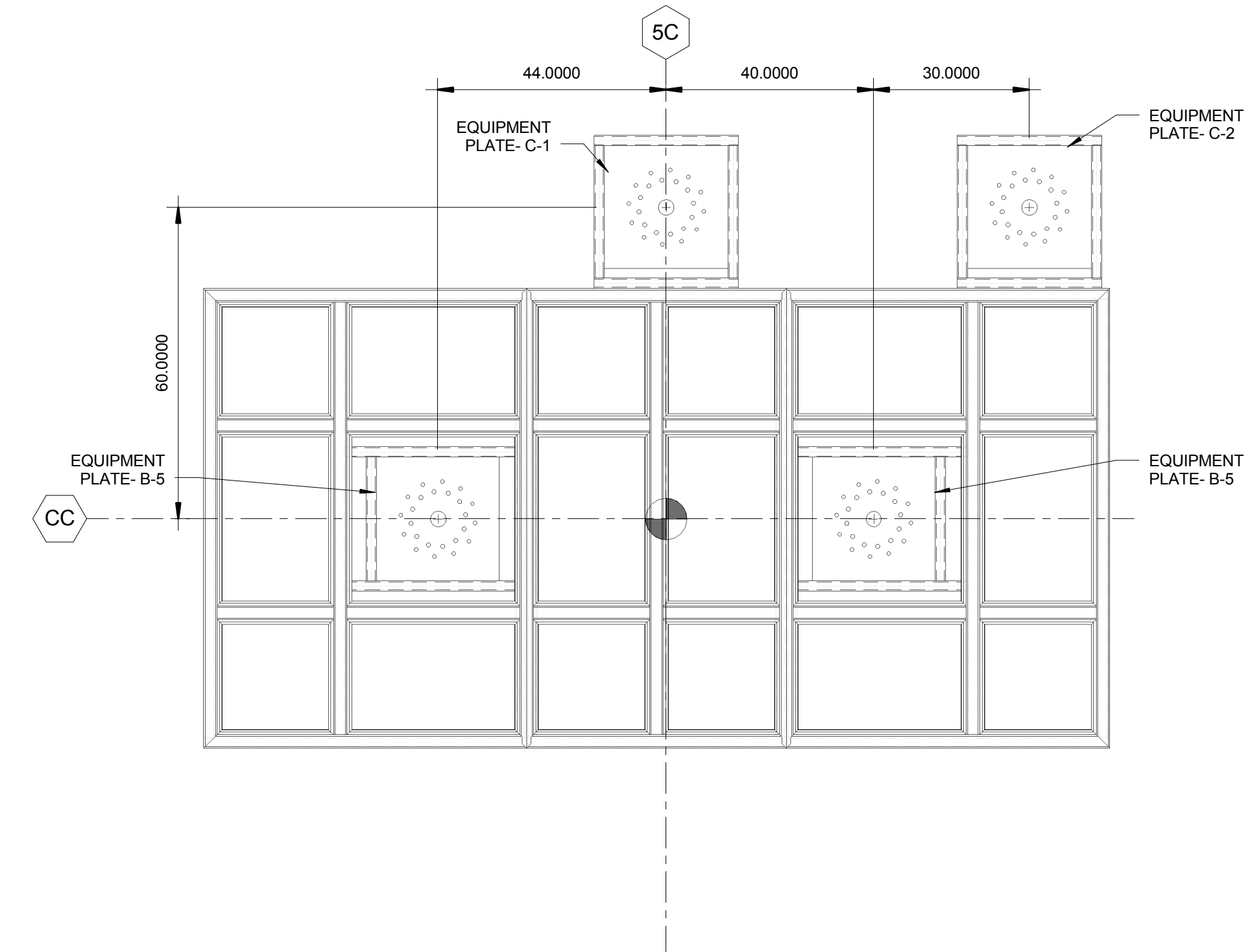
8 MED GAS PLATE  
 3" = 1'-0"

FULL SIZE DRAWING IS 30"x42"  
 DO NOT SCALE DRAWING

REV. NO.	REVISION DESCRIPTION	APPROVED	DATE	AS BUILT DATE
19855 SW 124th Ave TUALATIN, OR 97062 Phone (503) 639-0113 Fax (503) 639-1296 www.nortekair.com				
HOSPITAL NAME_OR				
MODULE LAYOUT				
HOSPITAL NAME HOSPITAL NAME ADDRESS CITY, STATE ZIP				
APPROVALS	DATE	FILE NAME	DRAWING NO.	
DESIGN		XX-XXXX	M2.0	
CHECKED		OLD FILE NAME	PROJECT SCALE	DRAWING SCALE
DESIGNCHECK			1:1	As indicated
SAFETY				
PLANNING				
ENGINEERING				
APPROVED				
REV CODE				

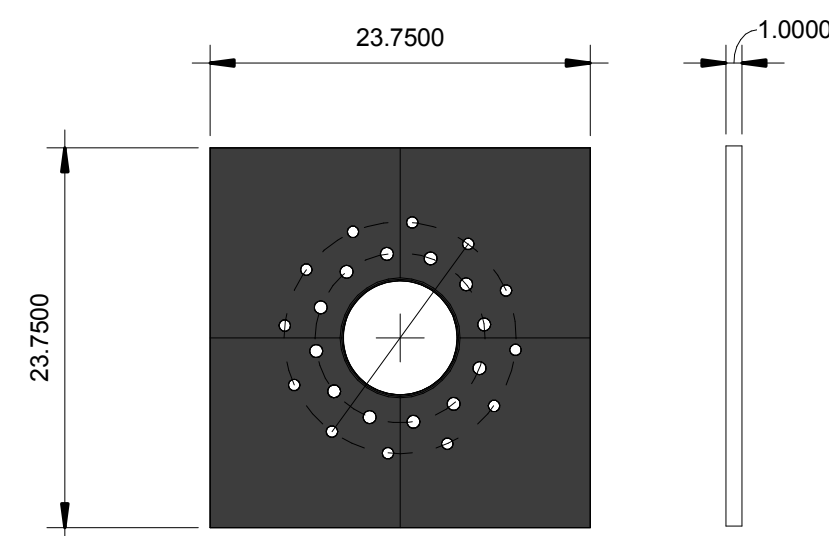
INDICATES ISO CENTER

Boom Plate Schedule						
Count	Type Mark	Manufacturer	Model	Description	Plate Mount Height (FFC)	Comments
3	B-5, C-1, C-2	STERIS		SINGLE MOUNT STANDARD PLATE	6.0000	23.7500x23.7500x1.0000



1 BOOM PLATE SCHEDULE  
1/2" = 1'-0"

2 BOOM LAYOUT  
1/2" = 1'-0"



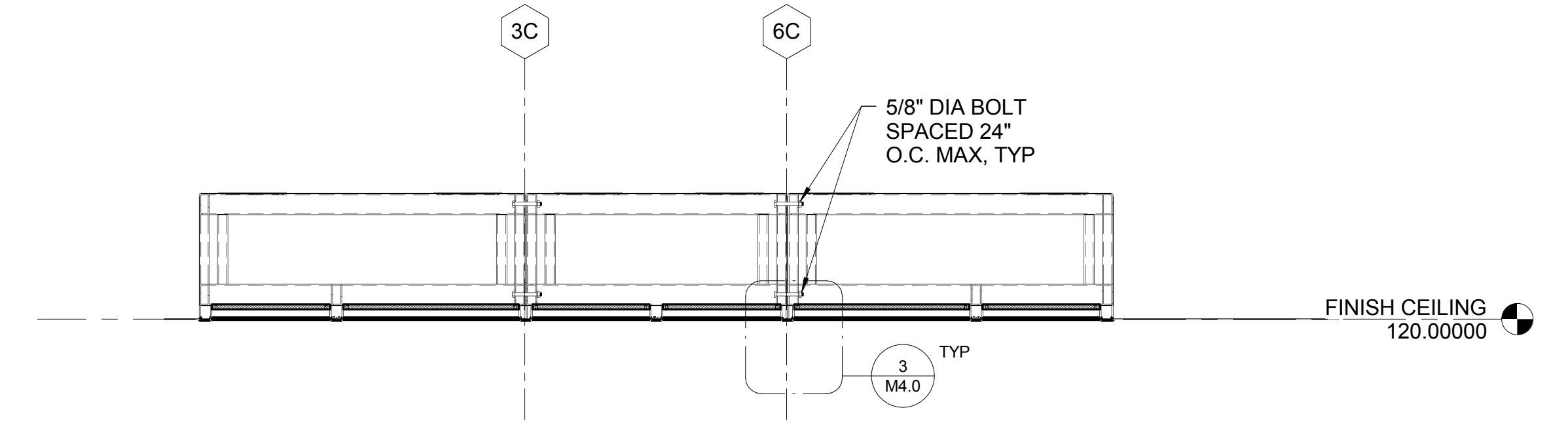
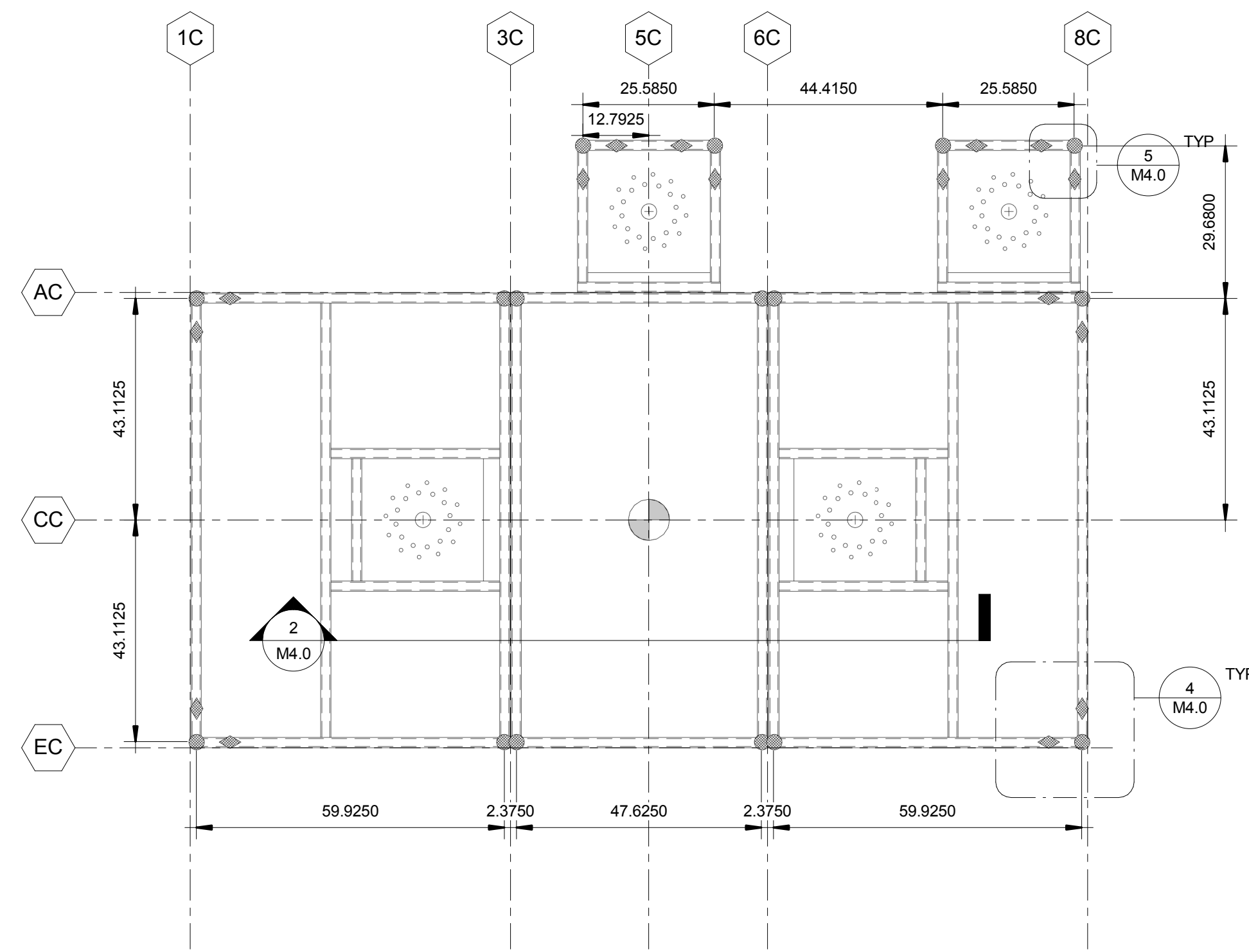
3 STERIS EQUIPMENT PLATE  
1" = 1'-0"

REV. NO.	REVISION DESCRIPTION	APPROVED	DATE	AS BUILT DATE
STAMP:				
19855 SW 124th Ave TUALATIN, OR 97062 Phone (503) 639-0113 Fax (503) 639-1296 www.nortekair.com				
HOSPITAL NAME_OR				
EQUIPMENT LAYOUT				
HOSPITAL NAME HOSPITAL NAME ADDRESS CITY, STATE ZIP				
APPROVALS		DATE		
DESIGN				
CHECKED				
DWG CHECK				
SAFETY				
PLANNING				
APPROVED				
REV CODE				
FILE NAME	XX-XXXX	DRAWING NO.	M3.0	
OLD FILE NAME		PLT SCALE	1:1	DRAWING SCALE
			As indicated	WORK IN NO.

- NOTES:
- GRAVITY SUPPORT AND SEISMIC SUPPORT PROVIDED BY OTHERS. SEE PLAN AND KEY NOTES FOR CONNECTION HOLE DIAMETER AND LOCATIONS
  - SEISMIC KICKER HOLES PROVIDED UPON REQUEST TO EACH INDIVIDUAL MODULE CORNER

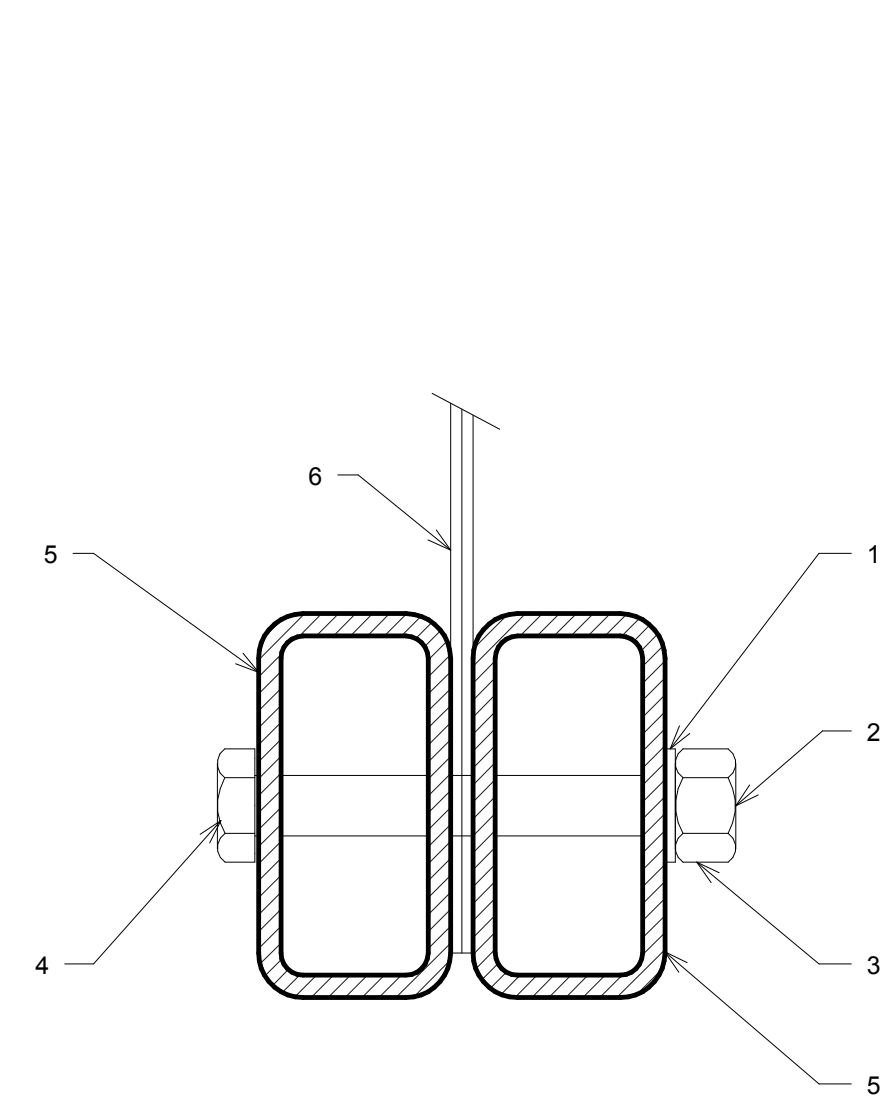
KEY NOTE

- INDICATES GRAVITY SUSPENSION POINT (.688" DIA HOLE)
- ◆ INDICATES SEISMIC KICKER LOCATIONS (.563" DIA HOLE)
- ⊙ INDICATES ISO CENTER

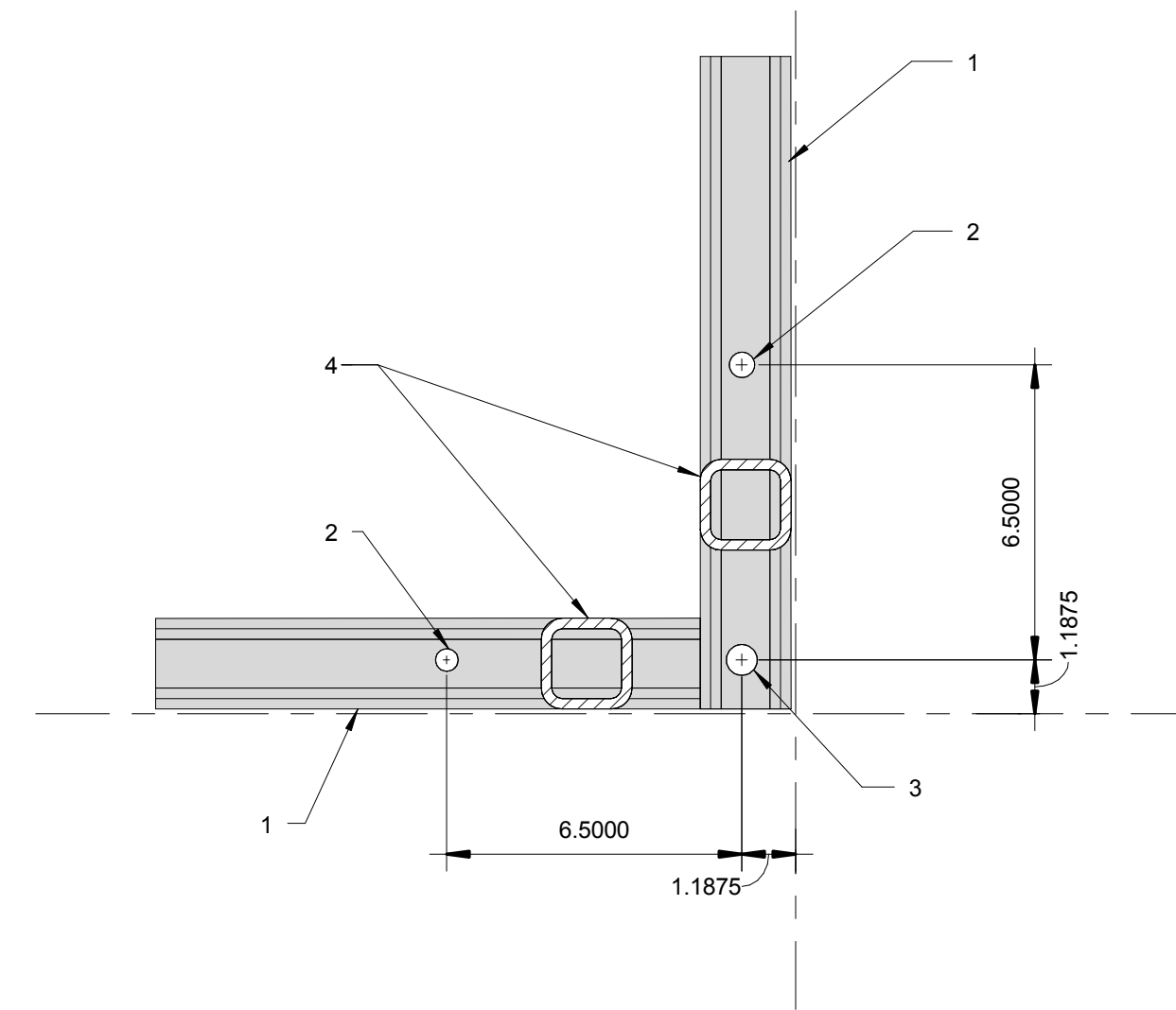


1 STRUCTURAL LAYOUT / SUSPENSION POINTS  
1/2" = 1'-0"

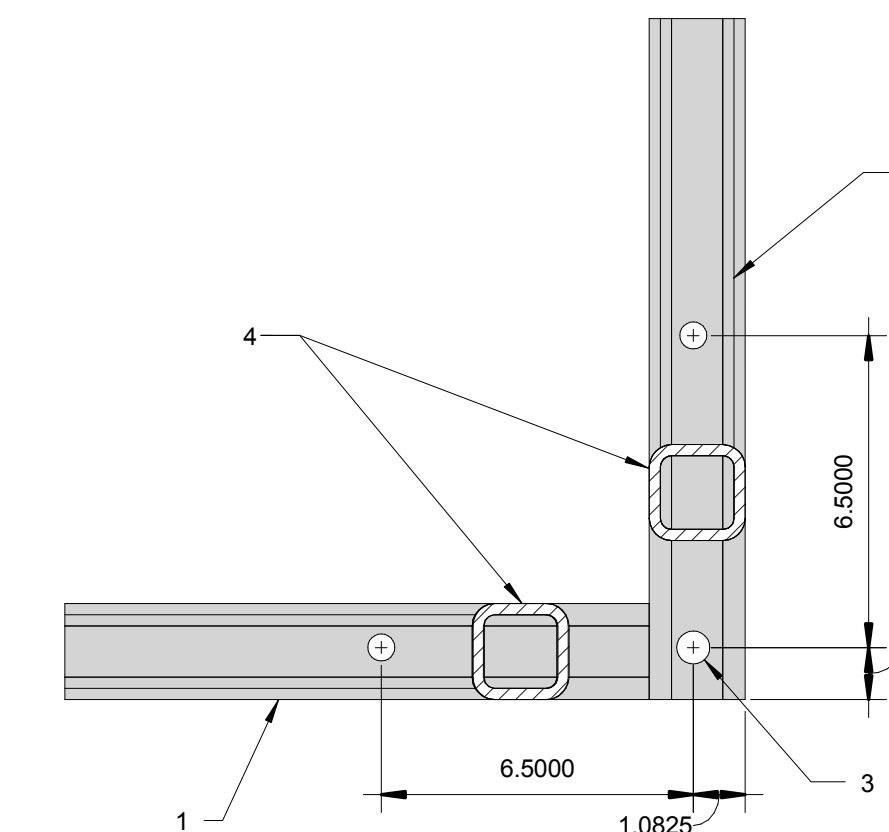
2 MODULE TO MODULE CONNECTION DETAIL  
1/2" = 1'-0"



- STD WASHER 5/8 FLAT Zinc
- NO THREAD EXTENSION NECESSARY
- NUT 5/8-11x3/8 JAM Zinc
- BOLT 5/8-11x4.75 CAP Gr5 Zinc
- HSS
- WALL



- HSS4x2
- SEISMIC HOLE
- SUSPENSION HOLE
- HSS2x2 VERTICAL



- HSS4x2
- SUSPENSION HOLE
- HSS2x2 VERTICAL

3 MODULE TO MODULE CONNECTION DETAIL  
6" = 1'-0"

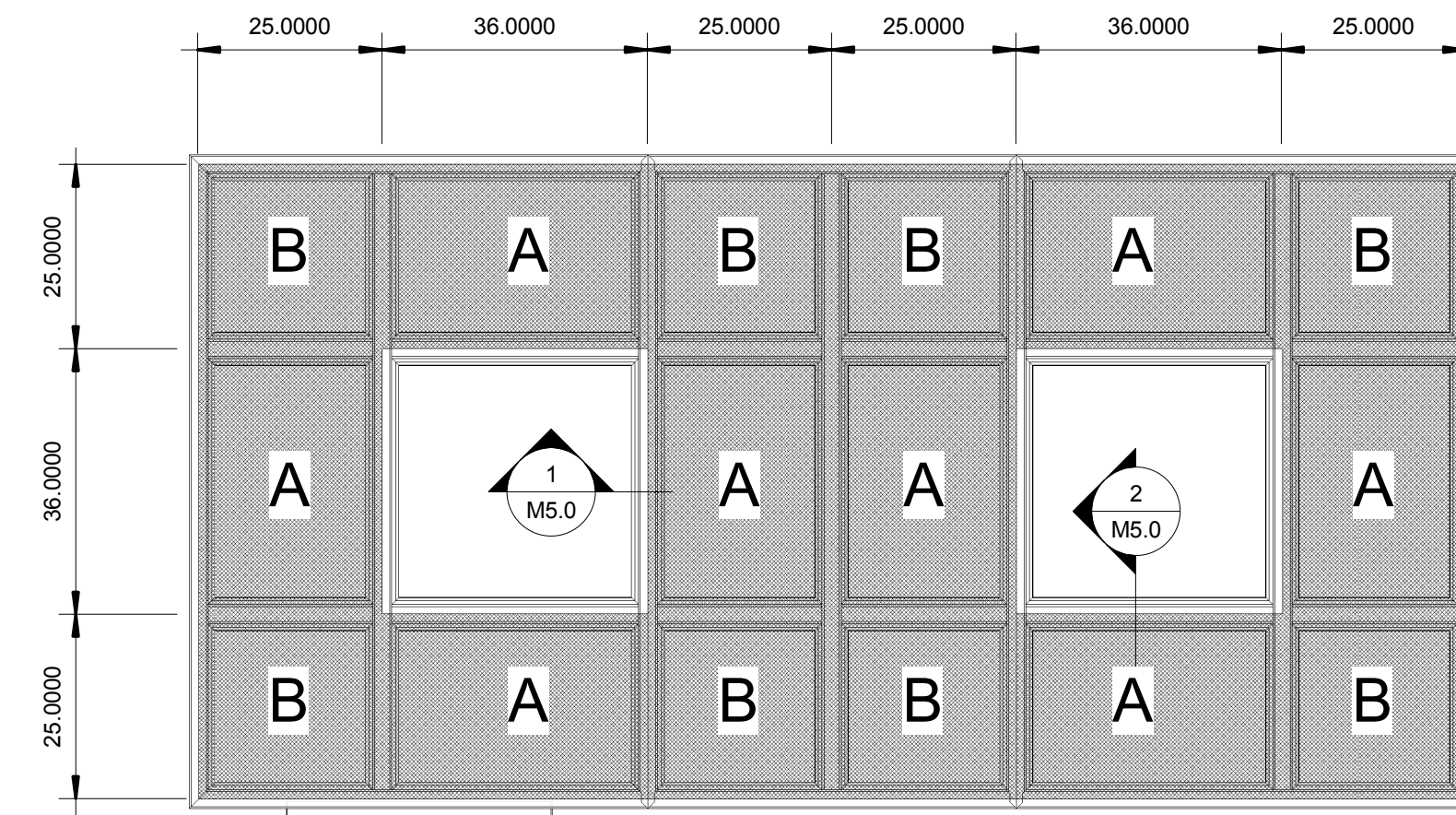
4 CORNER SUSPENSION POINT  
3" = 1'-0"

5 TRUSS CORNER SUSPENSION POINT DETAIL  
3" = 1'-0"

REV. NO.	REVISION DESCRIPTION	APPROVED	DATE	AS BUILT DATE
STAMP:				
<p>19855 SW 124th Ave TUALATIN, OR 97062 Phone (503) 639-0113 Fax (503) 639-1296 www.nortekair.com</p>		HOSPITAL NAME_ OR		
		STRUCTURAL LAYOUT		
<p>THIS DRAWING IS THE PROPERTY OF HUNTAIR CLEANSUITE AND CAN NOT BE REPRODUCED IN WHOLE OR IN PART, NOR DELIVERED TO OTHERS WITHOUT THE EXPRESS WRITTEN PERMISSION OF HUNTAIR CLEANSUITE.</p>				
APPROVALS		DATE		
DESIGN				
CHECKED				
DESIGN CHECK				
SAFETY				
PLANNING				
ENGINEERING				
APPROVED				
REV CODE		FILE NAME	DRAWING NO.	
		XX-XXXX	M4.0	
		OLD FILE NAME	PROJECT SCALE	DRAWING SCALE
			1 : 1	As indicated

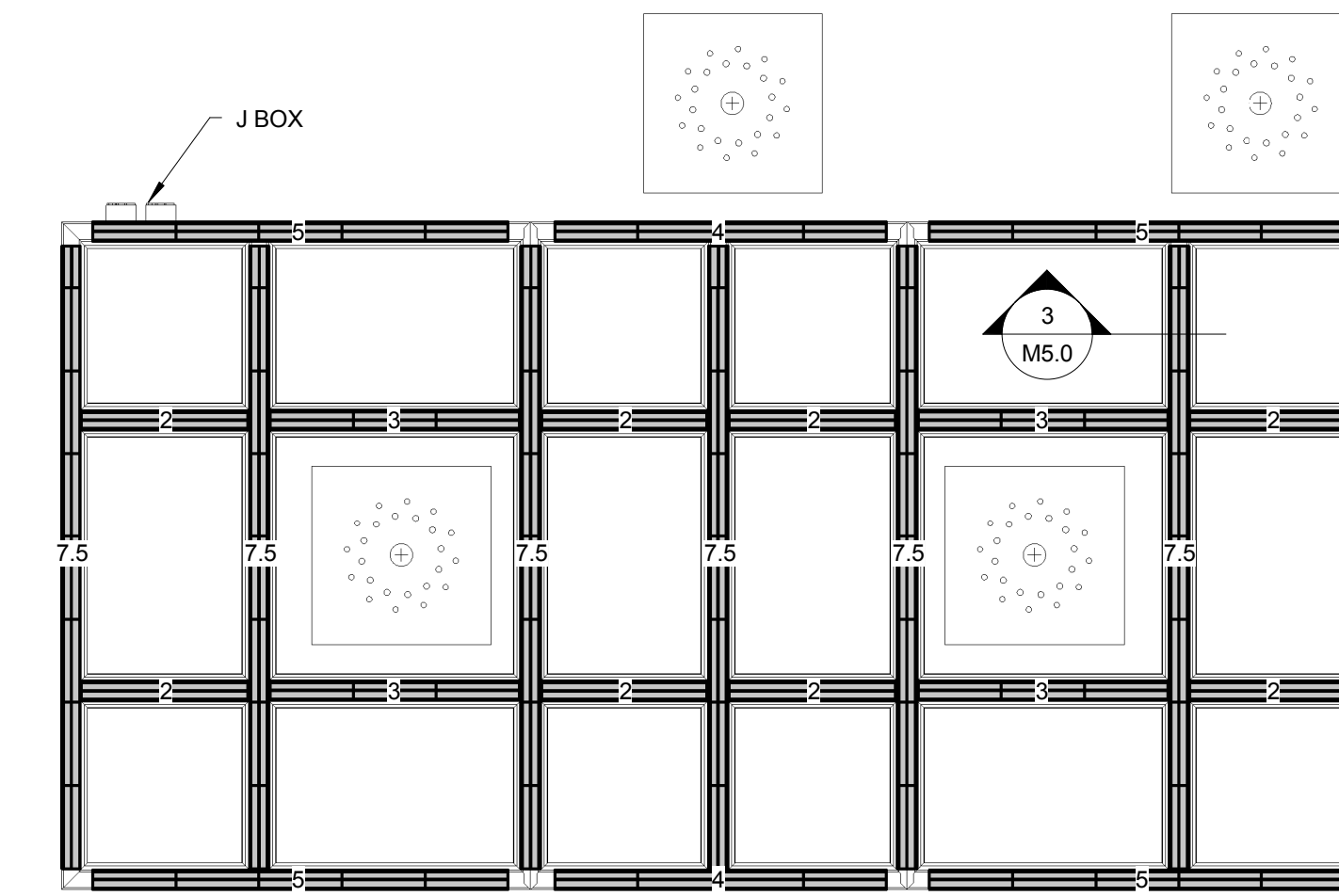
Air Filter/ Diffuser Schedule					
Type Mark	Count	Description	Model	Manufacturer	Comments
A	8		DIFFUSER	HUNTAIR	
B	8		DIFFUSER	HUNTAIR	
Grand total: 16					

- NOTE:
- LED LENS IS CLEAR-DIFFUSER
  - LIGHTING ON (2) CIRCUITS (PERIMETER AND INTERIOR)  
(2) J-BOXES PROVIDED PER CIRCUIT  
(1) 120/277VAC POWER  
(1) 0-10V LED DIMMING CONTROL
  - LOW VOLTAGE AND ELECTRICAL WIRING FOR BOOMS ARE WIRED DIRECTLY TO BOOM AND PROVIDED BY OTHERS
  - PERIMETER WATTAGE = 291.3  
INTERIOR WATTAGE = 443.8



### SYSTEM SIZING

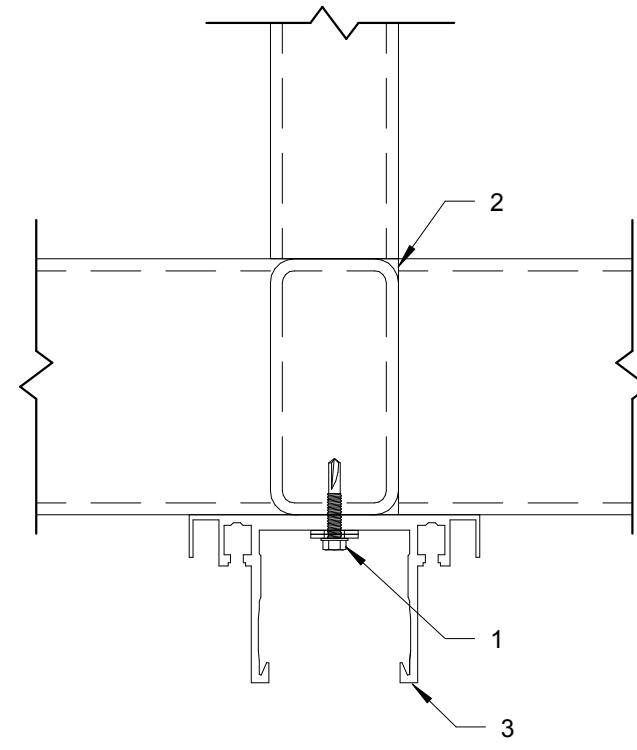
CFM: 2117.5      CFM: 2964.5  
DIFA: 84.7 SF      DIFA: 84.7 SF  
VELOCITY: 25 FPM      VELOCITY: 35 FPM



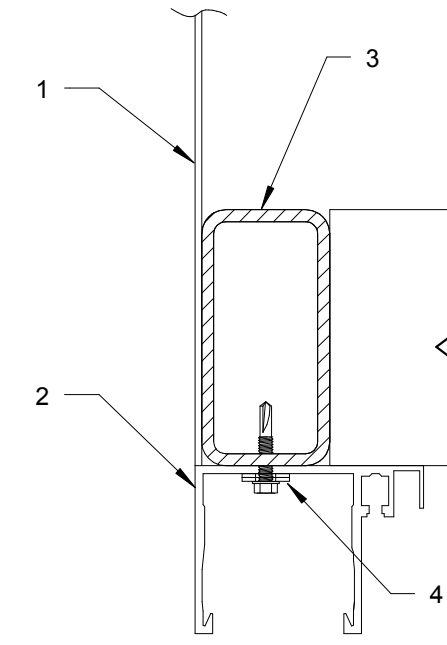
5 GRID LAYOUT  
1/2" = 1'-0"

6 LIGHTING LAYOUT  
1/2" = 1'-0"

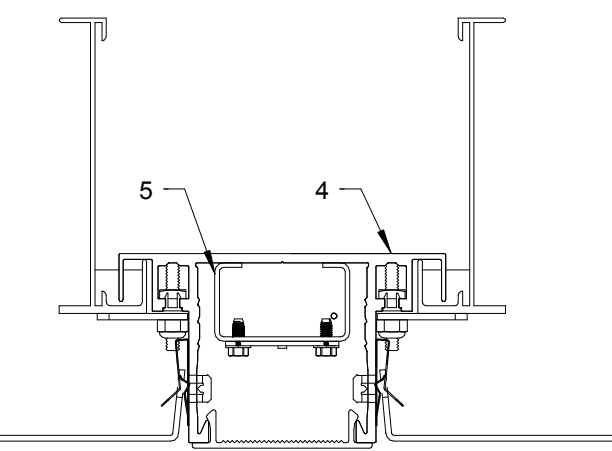
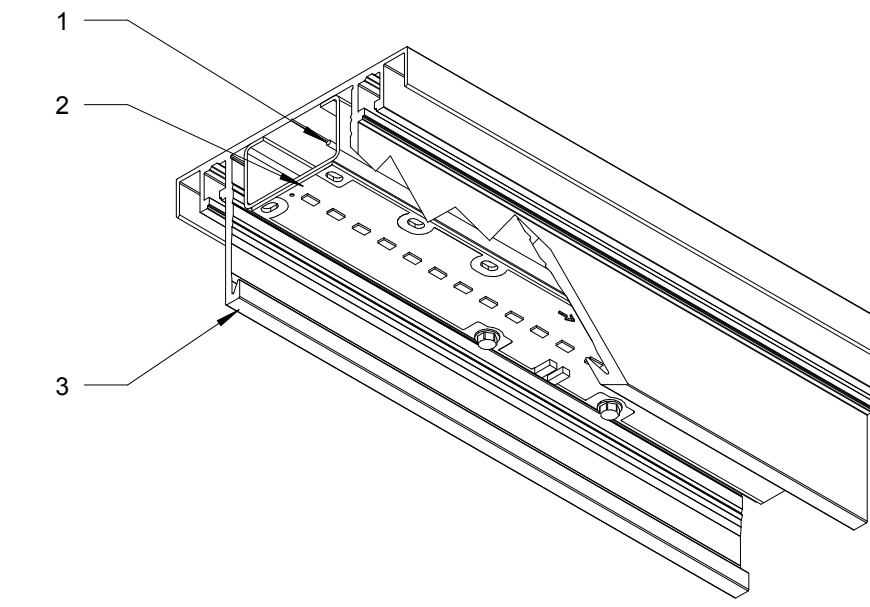
- TEK SCREW - ZINC PLATED
- HSS4x2x1/4 - POWDER COATED PAINT
- INTERIOR FLUSH MOUNT GRID - POWDER COATED PAINT



- SIDEWALL
- PERIMETER GRID
- HSS4x2x1/4
- TEK SCREW



- LIGHT FIXTURE
- LED STRIP
- LENS CLIP IN EXTRUSION
- 2.6 BOTTOM LOAD GRID EXTRUSION
- LED MOUNTING STRUT



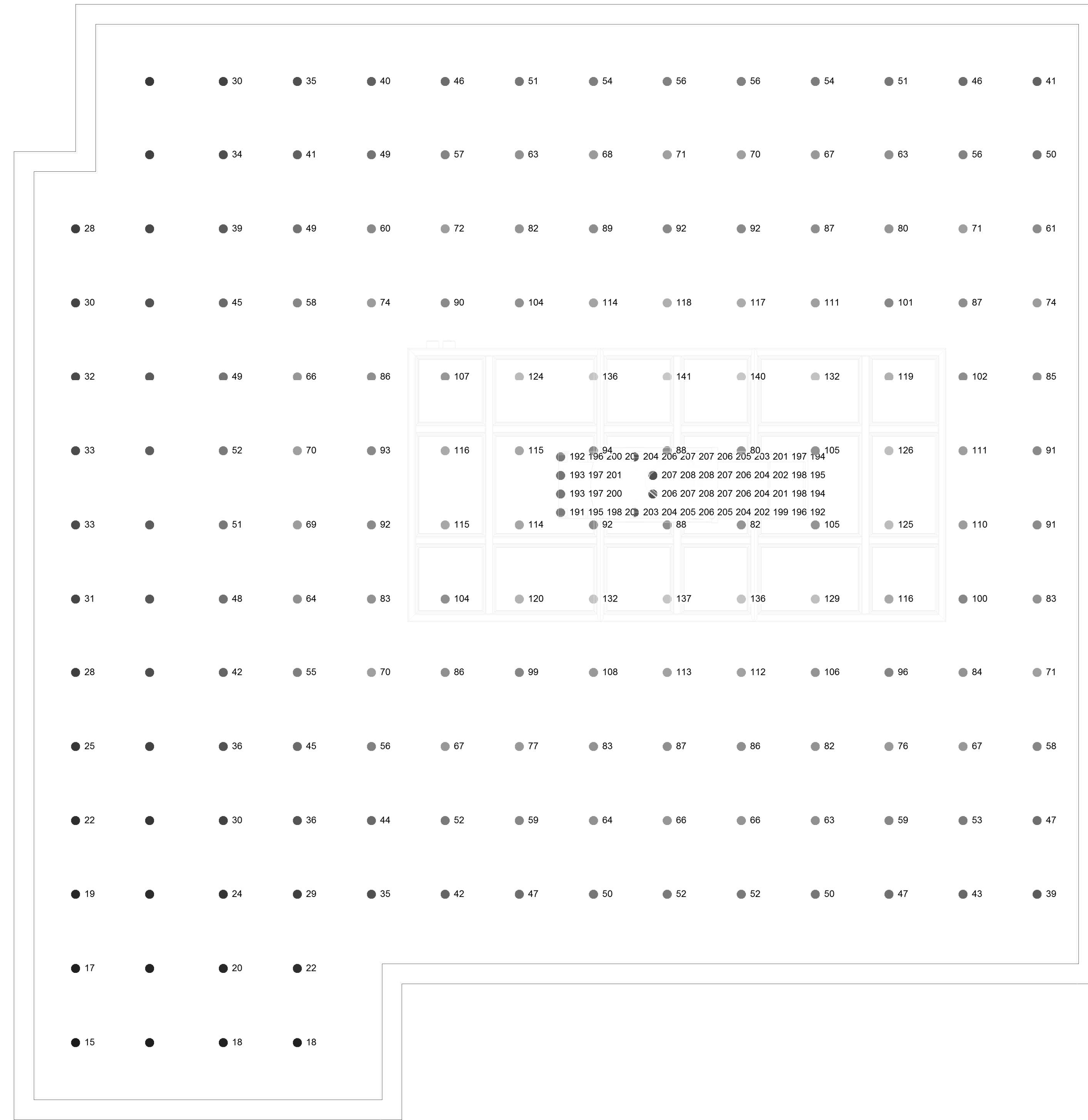
1 TYPICAL TUBE TO GRID ATTACHMENT-INTERIOR  
1" = 1'-0"

2 TUBE TO GRID ATTACHMENT-EXTERIOR  
1" = 1'-0"

3 TYP LED LIGHTING DETAIL  
1/2" = 1'-0"

REV. NO.	REVISION DESCRIPTION	APPROVED	DATE	AS BUILT DATE
STAMP:				
19855 SW 124th Ave TUALATIN, OR 97062 Phone (503) 639-0113 Fax (503) 639-1296 www.nortekair.com				
HOSPITAL NAME_OR				
<b>GRID ASSEMBLY &amp; ELEC</b>				
HOSPITAL NAME HOSPITAL NAME ADDRESS CITY, STATE ZIP				
APPROVALS	DATE	FILE NAME	DRAWING NO.	
DESIGN		XX-XXXX	M5.0	
CHECKED		OLD FILE NAME	PROJECT SCALE	DRAWING SCALE
UNOSCHECK			1 : 1	As indicated
SAFETY				
PLANNING				
ENGINEERING				
APPROVED				
REV CODE				

Author 12/20/17 1:39:38 PM



### GENERAL NOTES

- THESE RESULTS ARE ESTIMATED.
- LUMINAIRE HEIGHT : 10 FT
- CALCULATION GRID HEIGHT ABOVE THE FLOOR: 3 FT (STANDARD TABLE HEIGHT)
- EXTERNAL LIGHTING NOT INCLUDED.
- SHARED LIGHT IS NOT INCLUDED.
- WALL LOCATIONS ARE APROXIMATE.
- LIGHT LOSS FACTOR: 0.91
- ONLY DIRECT LIGHT IS CALCULATED.

### DISCLAIMER

CALCULATIONS HAVE BEEN PERFORMED ACORDING TO IES STANDARDS AND GOOD PRACTICE. SOME DIFFERENCES BETWEEN MEASURED VALUES AND CALCULATED RESULTS MAY OCCUR DUE TO TOLERANCES IN CALCULATION METHODS, TESTING PROCEDURES, COMPONENT PERFORMANCE, MEASUREMENT TECHNIQUES AND FIELD CONDITIONS SUCH AS VOLTAGE AND TEMPERATURE VARIATIONS. INPUT DATA USED TO GENERATE THE ATTACHED CALCULATIONS SUCH AS ROOM DIMENSIONS, REFLECTANCES, FURNITURE AND ARCHITECTURAL ELEMENTS SIGNIFICANTLY AFFECT THE LIGHTING CALCULATIONS. IF THE REAL ENVIRONMENT CONDITIONS DO NOT MATCH THE INPUT DATA, DIFFERENCES WILL OCCUR BETWEEN MEASURED VALUES AND THE CALCULATED VALUES.

Revit Categories				ElumTools Material Properties										
Category Override	Category Name	Category Type	Surface Type	Color	Reflectance	Transmittance	Mesh Level	Color Bleed	Luminance	Luminance Color	Luminaire Luminous	Specularity (Raytrace Only)	Glossiness (Raytrace Only)	
Category Type: Common (3)														
<input checked="" type="checkbox"/>	Ceilings	Common	Opaque, 1-sided		0.80	0.00	0 (Default)		1.00	0		<input checked="" type="checkbox"/>	0.00	0.00
<input checked="" type="checkbox"/>	Floors	Common	Opaque, 1-sided		0.40	0.00	0 (Default)		1.00	0		<input checked="" type="checkbox"/>	0.00	0.00
<input checked="" type="checkbox"/>	Walls	Common	Opaque, 1-sided		0.70	0.00	0 (Default)		1.00	0		<input checked="" type="checkbox"/>	0.00	0.00

ElumTools General Use Illuminance Results					
Project Name	Project Number	Calculation Points Name	Average	Minimum	Maximum
HOSPITAL_NAME_OR	XX-XXXX	STERIS 5085 General Surgical Table	201 fc	191 fc	208 fc
HOSPITAL_NAME_OR	XX-XXXX	OR 1	68 fc	15 fc	141 fc

LIGHTING FIXTURE SCHEDULE								
Manufacturer	Model	Count	Total Light Loss Factor	Luminaire Lumens	Wattage	Photometric File Data	OmniClass Number	OmniClass Title
Huntair	26-LED03-0-188-WOR-WPCL	112	0.91	540 lm	0 W	IESNA:LM-63-2002 [TEST]TL85091 [ISSUEDATE]07/14/15 [MANUFACTURER]HUNT AIR CLEANPAK [LUMCAT]26-LED03-0-188-WOR-WPCL [LUMINAIRE]EXTRUDED METAL HOUSING WITH WHITE PAINTED GENERAL INTERIOR [MORE]FINISH: FABRICATED SEMI-SPECULAR METAL CIRCUIT BOARD MOUNT, 1 [MORE]WHITE CIRCUIT BOARD WITH 22 LEDS, EXTRUDED TRANSLUCENT LINEAR [MORE]PRISMATIC PLASTIC LENS, LENS FRISHS IN AND PARALLEL WITH LENGTH [MORE]OF HOUSING. [LAMP]TWENTY-TWO WHITE MULTI-CHIP LIGHT EMITTING DIODES (LEDS), [MORE]VERTICAL BASE-UP POSITION. [NOTE]THIS REPORT WAS PRORATED FROM ITL TEST NUMBER 80138 WHICH WAS [MORE]A 4'88 LED LUMINAIRE. THE DATA WAS DIVIDED BY FOUR TO [MORE]REPRESENT A 1" LUMINAIRE WITH 22 LEDS. ACTUAL PERFORMANCE MAY [MORE]VARY. [OTHER]TEST PROCEDURE: IESNA LM-79-08 [OTHER]TEST DISTANCE = 35.0 FEET [ABSOLUTE]LUMENS]540 [TILT]NONE 22 -1 1 37 5 1 1 0.208333 0.973958 0.005208 1 1 0 0 2.5 5 7.5 10 12.5 15 17.5 20 22.5 25 27.5 30 32.5 35 37.5 40 42.5 45 47.5 50 52.5 55 57.5 60 62.5 65 67.5 70 72.5 75 77.5 80 82.5 85 87.5 90 0 22.5 45 67.5 90 228 228 227 225 222 219 216 211 208 203 194 187 180 172 164 155 146 138 129 120 111 102 93 85 77 68 60 53 45 37 30 23 17 11 6 2 0 228 228 224 224 222 220 217 213 208 203 197 190 183 176 168 160 152 144 135 127 118 109 101 93 84 76 68 60 53 45 38 31 24 18 13 8 4 2 228 227 226 224 221 217 213 208 202 195 188 181 173 165 157 148 140 131 123 114 108 97 89 82 74 66 59 52 45 38 32 25 20 14 10 6 4 228 228 226 224 221 216 211 205 200 193 185 177 169 160 152 143 134 125 117 108 100 92 85 77 70 63 56 49 43 37 31 25 20 15 11 8 5 228 227 225 223 219 215 210 204 198 190 183 175 166 158 149 140 131 123 114 106 98 90 83 75 68 62 55 49 42 36 31 25 20 16 12 8 6	23.80.70.11	Luminaires for Internal Lighting

1 LIGHTING CALCULATION  
1/2" = 1'-0"

REV. NO.	REVISION DESCRIPTION	APPROVED	DATE	AS BUILT DATE	
STAMP:					
19855 SW 124th Ave TUALATIN, OR 97062 Phone (503) 639-0113 Fax (503) 639-1296 www.nortekair.com					
HOSPITAL_NAME_OR					
<b>LIGHTING CALCULATIONS</b>					
HOSPITAL NAME HOSPITAL NAME ADDRESS CITY, STATE ZIP					
APPROVALS DATE		FILE NAME	DRAWING NO.		
DESIGN		XX-XXXX	M6.0		
CHECKED		OLD FILE NAME	DRAWING SCALE	WORKING	
DESIGN CHECK			1 : 1	As indicated	
SAFETY					
PLANNING					
ENGINEERING					
APPROVED					
REV CODE					